

CANADIE

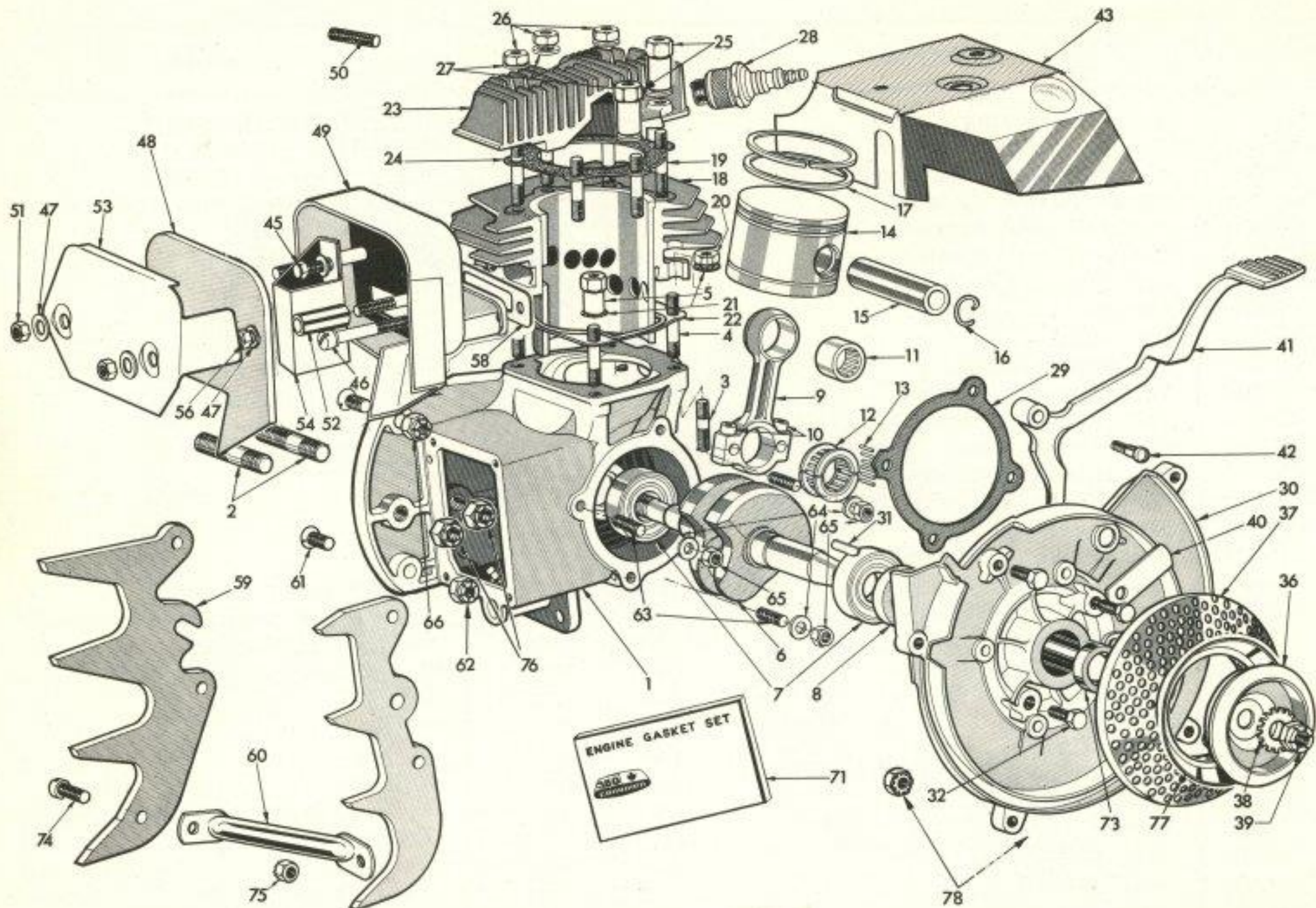
MODEL 380



OPERATORS MANUAL

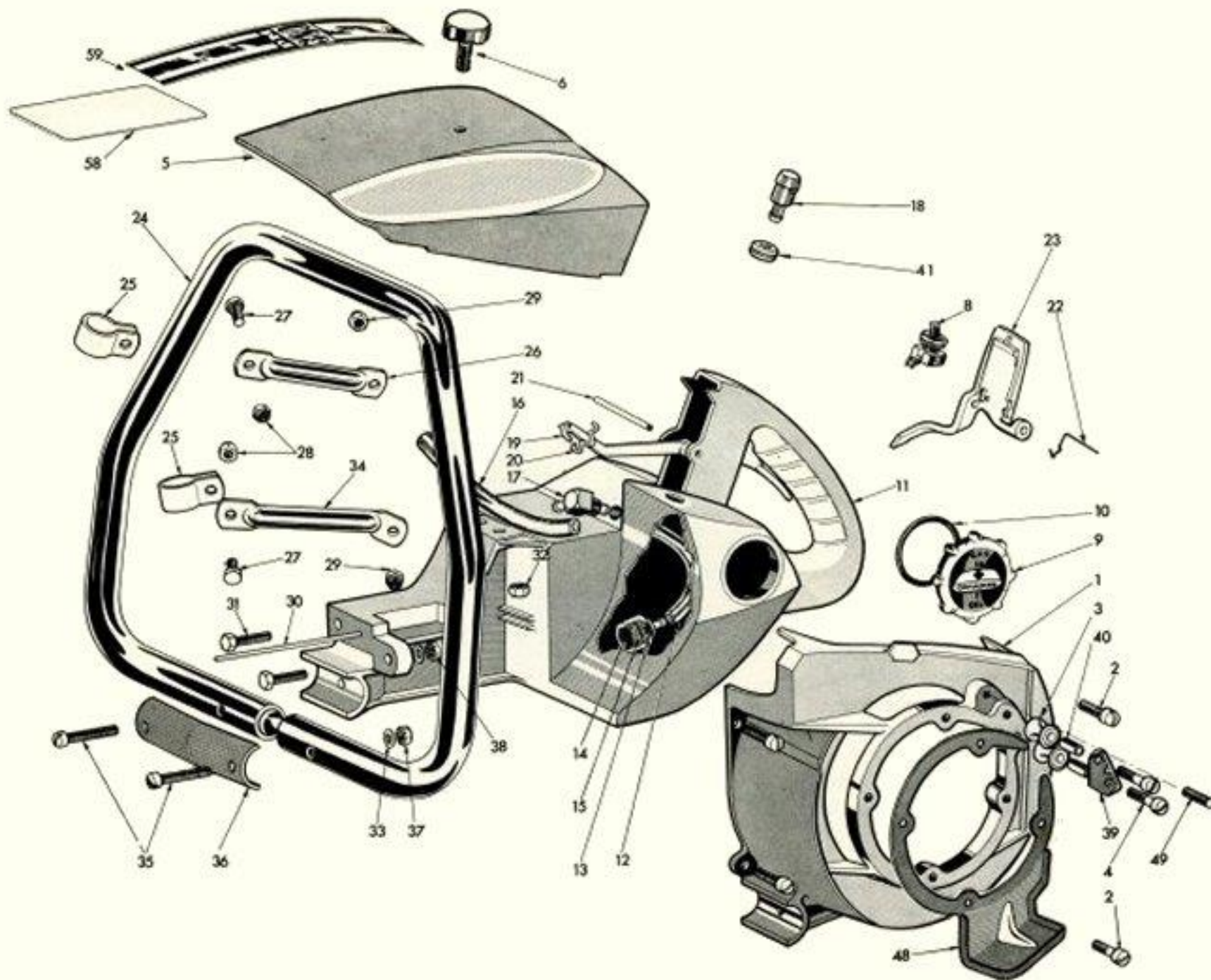
EDITION 2

ENGINE



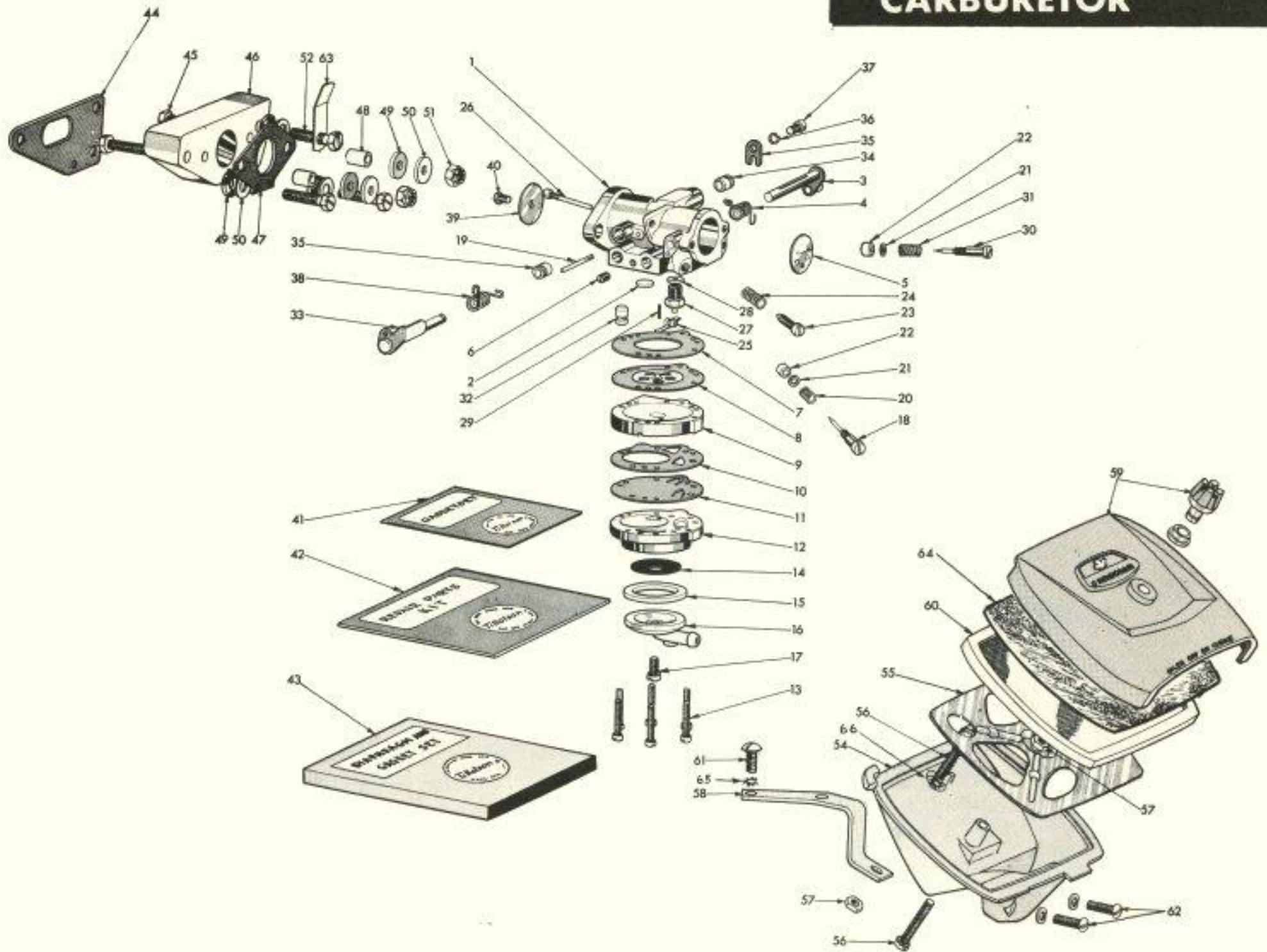
REF. NO.	PART NO.	DESCRIPTION	REF. NO.	PART NO.	DESCRIPTION
1	275602	Crankcase Assembly (includes*)	40	275076	Retainer
2	*271013	Bar Stud (2 used)	41	270290	Oiler Lever
3	*270010	Tank Stud (2 used)	42	270291	Pivot Screw
4	*275023	Cylinder Block Stud (4 used)	43	276619	Inner Shroud
5	270073	Cylinder Base Nut (front) (2 used)	44		
6	276025	Crankshaft	45	735814	Exhaust Body Screw
7	270030	Main Bearing (2 used)	46	737814	Exhaust Tube Screw (2 used)
8	270033	Crankshaft Seal (2 used)	47	275069	Washer (2 used)
9	275606	Con Rod Assembly (includes **)	48	275136	Exhaust Manifold Cover
10	**761060-8	Con Rod Cap Screw (2 used)	49	275617	Exhaust Manifold Body
11	**275041	Con Rod Small End Bearing	50	270038	Stud Brace to Head
12	*275605	Con Rod Big End Brg. c/w Needles	51	270059	Exhaust Front Cover Nut (2 used)
13	177040	Con Rod Big End Needle (12 used)	52	275141	Spacer Tube (2 used)
14	275045	Piston	53	275134	Exhaust Outer Cover
15	21017	Wrist Pin	54	275133	Exhaust Baffle
16	270047	Wrist Pin Retainer Clip (2 used)	56	850064	Nut (2 used)
17	275050	Piston Ring (2 used)	58	275140	Exhaust Gasket
18	275612	Cylinder Block Assy. (c/w studs)	59	270341	Bucking Spike (up to 30" Bar)
19	275009	Cylinder Head Stud (6 used)		275341	Bucking Spike (30" and over Bar)
20	850264	Cylinder Base Nut (2 used)Rear	60	275333	Bucking Spike Brace
21	854114	Cylinder Base Washer (2 used)	61	741464	Bucking Spike Screws (2 used)
22	275058	Cylinder Base Gasket	62	850364C	Bucking Spike Nut (2 used)
23	275670	Cylinder Head	63	*270009	Crankcase Studs (4 used)
24	275071	Head Gasket	64	854214	Washers (4 used)
25	270073	Cylinder Head Nut(Special)(2 used)	65	850064C	Nuts (4 used)
26	850064C	Cylinder Head Nut (4 used)	66	850464	Bucking Spikenut (Top)
27	275069	Cylinder Head Washer (6 used)	71	275710	Engine Gasket Set
28	10252	Spark Plug			
29	275074	Stator Backing Plate Gasket	74	701264	Screw, Bucking Spike to Brace
30	275075	Stator Backing Plate	75	850464	Nut, Bucking Spike Screw
31	21088	Rotor Key	76	850116	Bar Stud Nut (2 used)
32	706014EC	Stator Screws (3 used)	77	270128	Starter Cup Shield
36	270126	Starter Cup	78	850210	Nut (Stator Backing Plate to Blower
37	275127	Starter Screen			Housing) (2 used)
38	854117	Starter Cup Washer			
39	850467	Crankshaft Nut			

GAS TANK



Ref. No.	Part No.	Description	Ref. No.	Part No.	Description
1	275677	Blower Housing	31	701664	Tank Screw (2 used)
2	736210	Blower Housing Screw (4 used)	32	850364	Tank Nut (2 used)
3	275084	E Z Pull Roller (2 used)	33	275069	Tank Washer (4 used)
4	726610	Roller Screw (2 used)	34	275330	Front Handle Brace (Starter side)
5	275666	Outer Shroud Assembly (includes ***	35	702414	Screw (2 used)
6	***276601	Outer Shroud Knob Assy.	36	270326	No-Squash Washer
7	***177099	Fuel Pickup Cap	37	850414	Nut (2 used)
8	270238	Switch	38	850464	Nut (2 used)
9	270202	Fuel Cap	39	275129	Starter Roller Plate
10	19137	Fuel Cap Gasket	40	275086	Starter Roller Spacer (2 used)
11	270632	Fuel Tank Assembly	41	177229	Tank Vent Grommet
12	270206	Fuel Pickup Hose	42		
13	270635	Fuel Pickup Assy. (includes **)	43		
14	**270208	Fuel Pickup Screen (2 used)	44		
15	**177386	Fuel Filter Element	45		
16	275210	Fuel Line	46		
17	270209	Fuel Pickup Connector	47		
18	177634	Tank Vent Kit (includes *)	48	275390	Step Plate
19	270230	Throttle Trigger	49	270038	Stud Brace to Blower Housing
20	270232	Throttle Link	50	270016	Flush Cut Handle
21	270231	Hinge Pin	51	275006	Bracket
22	270235	Choke Spring	52	270329	Brace
23	270234	Choke Lever	53	*275007	Valve
24	275325	Front Handle	54	*275217	Spring
25	270328	Front Handle Brace Clamp (2 used)	55	275223	Washer
26	275329	Front Handle Brace	57	270316	Plug (Flush Cut Handle)(2 used)
27	706014	Screw (2 used)	58	***270307	Instruction Decal
28	850414	Nut (2 used)	59	***275204	Decal 380
29	850264	Nut (2 used)	60	271218	Tank Vent Filter
30	270295	Oiler Pushrod	61	736610	Screw (2 used)

CARBURETOR



Ref. No.	Part No.	Description	Ref. No.	Part No.	Description
	275095	Carburetor Complete	35	09678	Throttle Shaft Clip
1	014039	Body Service	36	0992	Throttle Shaft Clip Lockwasher
2	02531	*Body Channel Welch Plug	37	01974	Throttle Shaft Clip Ret. Screw
3	012381	Choke Shaft & Lever	38	012244	*Throttle Shaft Return Spring
4	012383	Choke Shaft Return Spring	39	012089	Throttle Shutter
5	012489	Choke Shutter	40	08942	*Throttle Shutter Screw
6	02232	Diaphragm Chamber Drain Screw	41	GS158	*Gasket & Packing Set
7	012473	Diaphragm Gasket	42	RK734	Repair Parts Kit
8	012475	*Diaphragm	43	012910	Diaphragm and Gasket Set
9	013549	Diaphragm Cover	44	275097	Carb. Heat Damper Gasket
10	012930	Fuel Pump Gasket	45	701764	Screw Insulator to Carb. $\frac{1}{4}$ "-28x1 $\frac{1}{8}$ " Hex (2 used)
11	010531T	*Fuel Pump Diaphragm			
12	013335	Fuel Pump Body	46	275096	Carb. Heat Damper
13	010098	Fuel Pump Body Screw & Lockwasher (6 used)	47	275098	Carb. Gasket
14	010530	*Fuel Strainer Screen	48	270028	Carb. Insulating Sleeve (2 used)
15	010529	Fuel Strainer Cover Gasket	49	270026	Carb. Fibre Washer (5 used)
16	010527	Fuel Strainer Cover	50	270027	Carb. Washer (5 used)
17	010571	*Fuel Strainer Cover Ret. Screw	51	850164	Carb. Jam Nut (2 used)
18	011716A	*Idle Adj. Screw	52	702104	Insulator Screw $\frac{1}{4}$ -20x1 $\frac{1}{4}$ (3 used)
19	010776	Spring Anchor Pin	54	276101	Air Filter Adaptor Assembly
20	08793	*Idle Adj. Screw Spring	55	276172	Air Flow Distributor Plate
21	011428	Idle Adj. Screw Washer	56	275109	Screw 10-24x1 $\frac{1}{2}$ Pan (Distributor to Adaptor) (2 used)
22	011401	Idle Adj. Screw Packing	57	850210	Nut 10-24 Sems (2 used)
23	05095	*Idle Speed Regulating Screw	58	276117	Air Filter Brace
24	0788	*Idle Speed Regulating Screw Spring	59	276752	Air Filter Cover and Wing Nut Assembly
25	014020	*Inlet Control Lever			
26	010581	*Inlet Control Lever Pinion Screw	60	276624	Air Filter Element Assembly
27	014035	*Inlet Needle, Seat & Gasket	61	700864	Screw $\frac{1}{4}$ -28x $\frac{1}{2}$ Hex Sems
28	010165	Inlet Seat Gasket	62	716060	Screw 10-32x $\frac{5}{8}$ " R.H.M. (2 used)
29	011503	*Inlet Tension Spring	63	276299	Spring Plate
30	011494	*Main Adjustment Screw			(*) Indicates contents of Repair Parts Kit
31	08793	*Main Adj. Screw Spring	64	276107	Fuatron Filter (Optional)
32	012084	Nozzle Check Valve	65	854114	Washer External Shakeproof
33	013188	Throttle Shaft & Lever	66	854110	Washer #10 External Shakeproof (2 used)
34	09780	Throttle Shaft Bushing (2 used)			

ADJUSTMENTS

CARBURETOR

Adjustment Carburetor in the following sequence:

1. Screw in main jet (H) lightly then open $\frac{3}{4}$ to 1 turn.
2. Screw in low jet (L) lightly then open $\frac{3}{4}$ to 1 turn.
3. Unscrew idle speed screw until lever touches stop, then screw in 1 to $\frac{1}{2}$ turns.

FUEL MIX

Fuel mix 16 gas to 1 oil (1002. per imp. gal.).

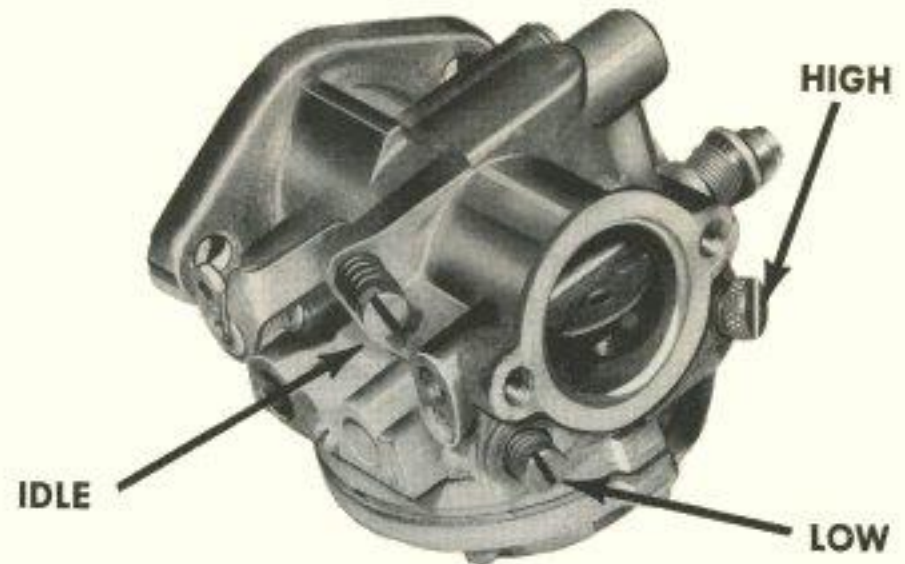
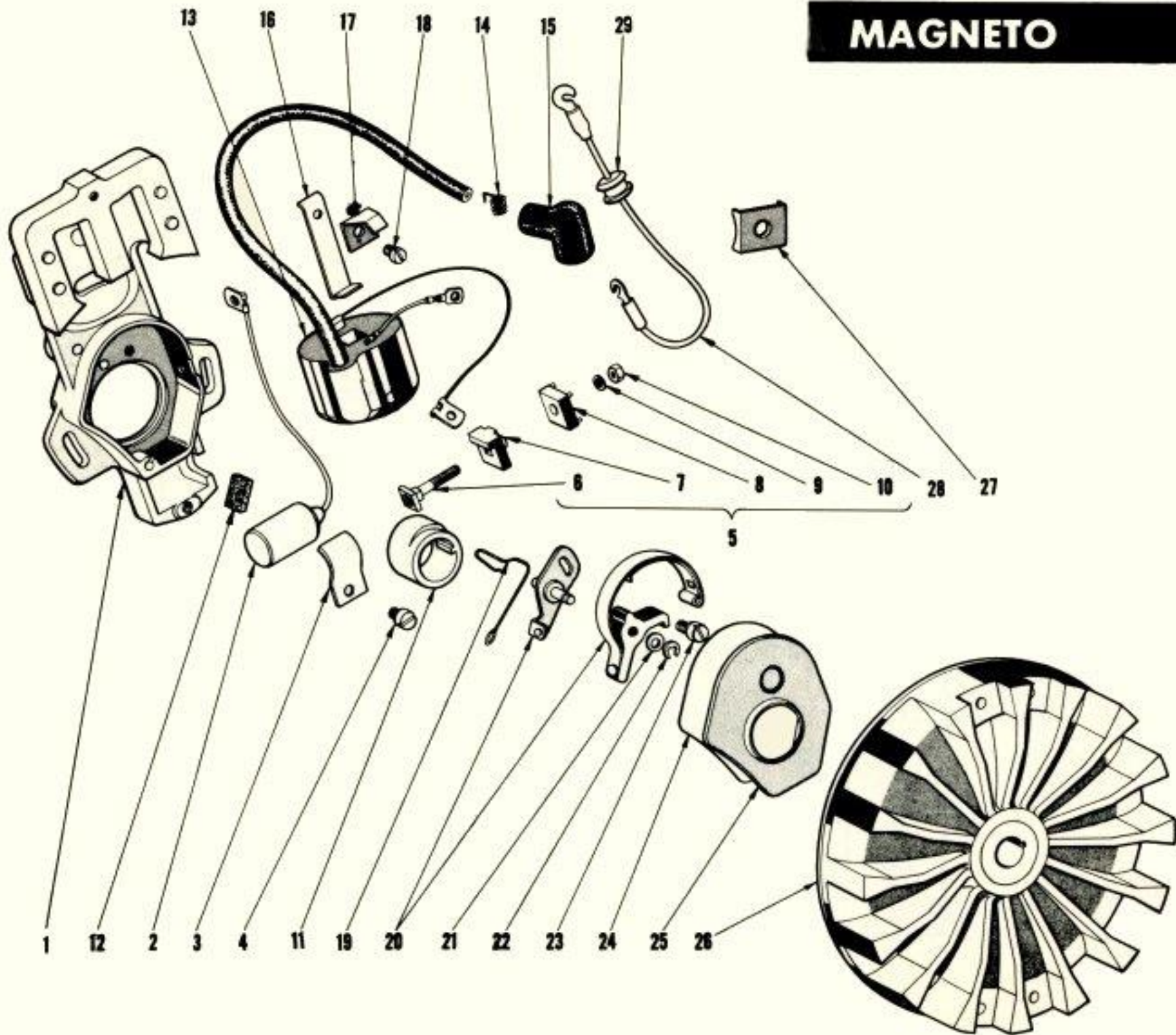


FIGURE 9 Carburetor Adjustment



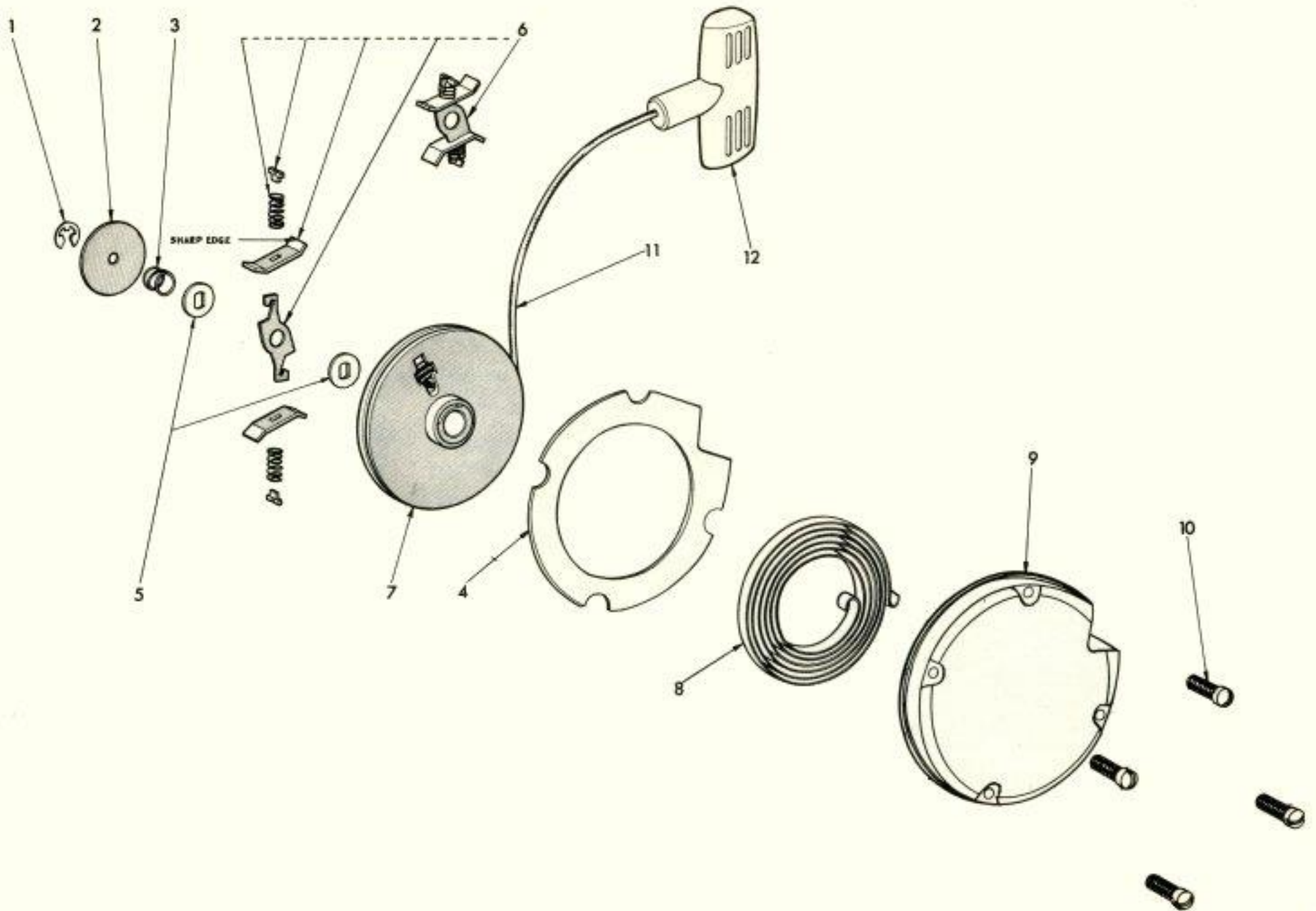
FIGURE 10 Breaker Point Adjustment

MAGNETO



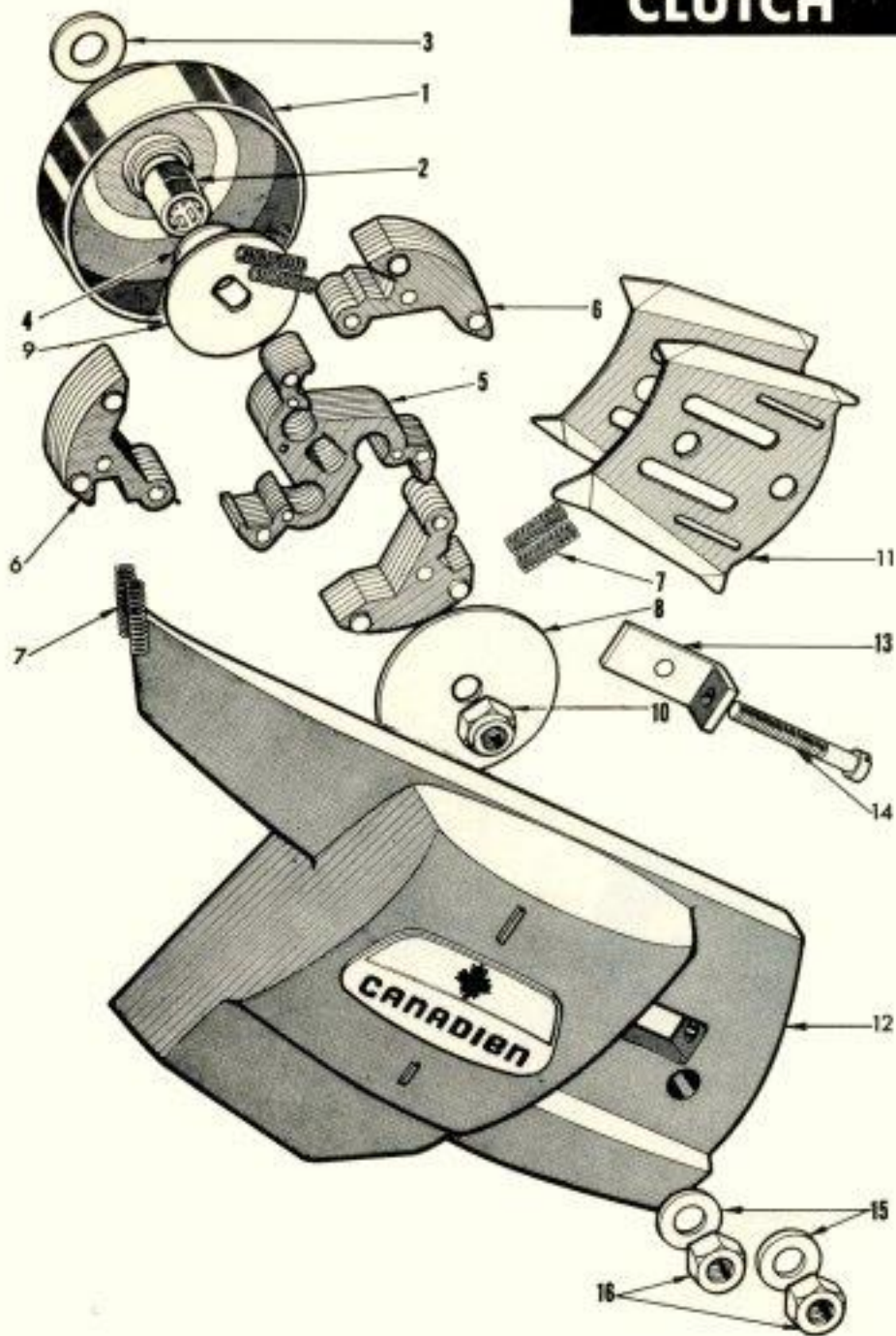
REF. NO.	PART NO.	DESCRIPTION
1	275601 X14283 X14282	Magneto Assembly Complete Stator Assembly Comp. (includes *) Stator Plate Group (plate & coil core only)
2	*X13299	Condenser Group
3	*8854	Condenser Clamp
4	*5411	Condenser Clamp Screw Assembly
5	X13344	Terminal Connection Unit
6	*13312	Connection Stud
7	*13309	Connection Stud Insulator
8	11785	Terminal
9	*M-90X	Ground Lead Clamp Nut Lockwasher
10	*11015	Ground Lead Clamp Nut
11	13301	Breaker Cam
12	*6318	Cam Wiper Felt
13	X14276	Coil Group
14	*8824	Terminal Spring
15	*8825	Terminal Spring Cover
16	*13303	Coil Wedge Spring
17	275088	H. T. Wire Clip
18	11686	Coil Grounding Screw
19	*11024	Breaker Box Cover Spring
20	*X13343	Breaker Point Set
21	10407	Thrust Washer
22	6388	Breaker Arm Pivot Retainer Ring
23	*5900	Fixed Contact Clamp Screw Assy.
24	*13305	Gasket
25	*13304	Cover
26	276658	Rotor
27	275087	Primary Wire Clip
28	X12988	Switch Wire
29	270081	Grommet

STARTER



REF. NO.	PART NO.	DESCRIPTION
	275620	Starter Complete
1	29-3	Retainer Ring
2	27-8	Brake Retainer Washer
3	20-3	Brake Spring
4	275225	Spring Shield
5	27-80	Fiber Washer (2 used)
6	111-71	Replacement Pawl Assembly
7	13-15	Rotor
8	20-35	Rewind Spring
9	151-180	Cover
10	726614	Cover Screw (4 used)
11	140-6	Starter Cord
12	144-20	"T" Handle — Steel Reinforced

CLUTCH



REF. NO.	PART NO.	DESCRIPTION
1	270645 270653	7 Tooth Sprocket (drum & bearing) 8 Tooth Sprocket (drum & bearing)
2	177348	Sprocket Bearing
3	19029	Thrust Washer (inside)
4	276378 275672	Thrust Washer (outside) Clutch Assembly (includes *)
5	*276643	Clutch Driver
6	*275654	Clutch Shoe Assembly (3 used)
7	*270363	Spring (6 used)
8	*275364	Side Plate
9	276364	Side Plate
10	850467	Crankshaft Nut
11	21123	Guide Plate (2 used)
12	270648	Chain Cover Assy. (includes **)
13	**178649	Chain Tensioner Assembly
14	**737814	Chain Tensioner Screw
15	855916	Bar Washer (2 used)
16	850066	Bar Nut (2 used)

CHAIN OILER

Ref. No.	Part No.	Description
1	**725810	Diaphragm Cover screw(short)
2	**727810	Diaphragm Cover screw (long)
3	*781260	Adjusting Screw
4	*850260	Lock Nut
5	**275611	Diaphragm Cover Assy. (includes *)
6	**275613	Oiler Piston and Diaphragm Assy.
7	725810	Cover Screw (3 used)
8	275622	Oil Tank Cover Assy. (includes **)
9	**780410	Set Screw
10	**275718	Oiler Valve Repair Kit
11	275246	Gasket
12	275638	Oiler Filler Cap Assembly
13	271258	Oiler Filler Cap Gasket
14	178627	Oil Pick-up Connector
15	270270	Oil Pick-up Hose
16	271629	Oil Pick-up Head Assembly
17	16513	Oiler Spring
18	270260	Oiler Piston
19	16061	'O' Ring
20	270286	Filter
21	270287	Retainer
22	276079	Gasket Diaphragm Cover (2 used)

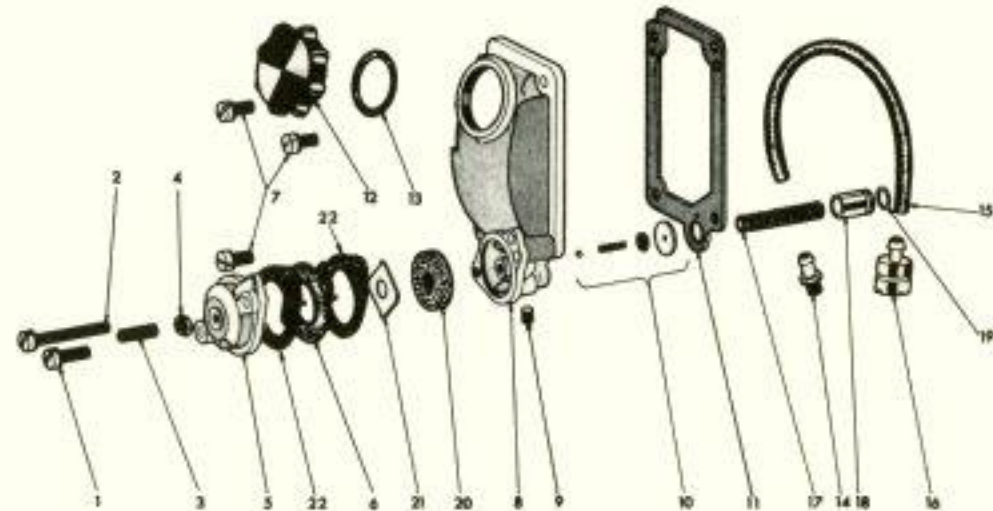
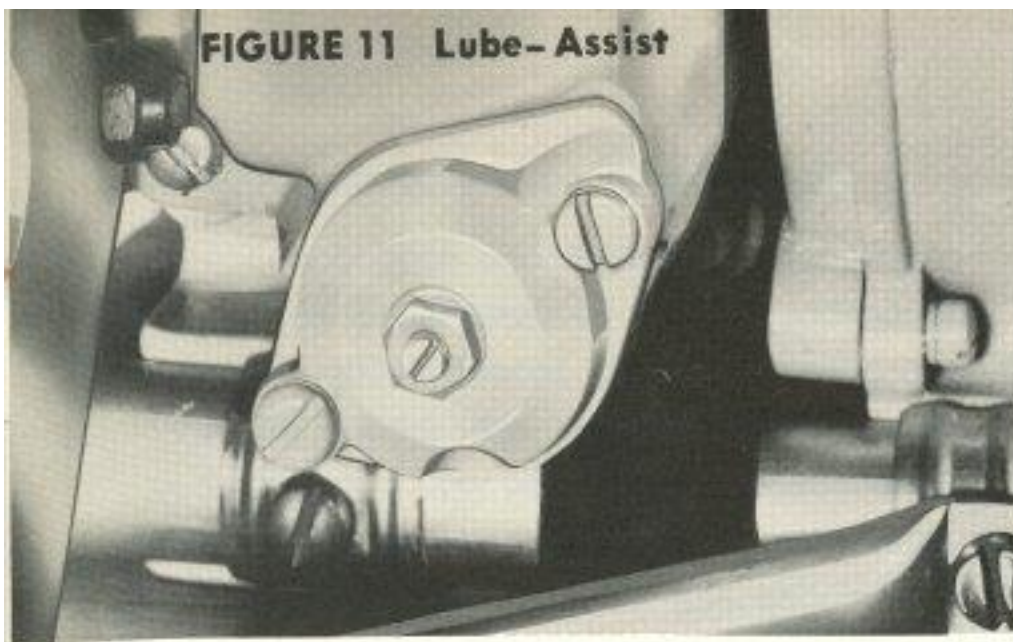


FIGURE 11 Lube-Assist



IGNITION

Spark plug gap .025"

Ignition breaker point gap .015"

LUBE ASSIST

Lube-Assist is set at factory for Average Cutting Conditions. Adjust for local conditions as follows:

1. Loosen locknut.
2. Back screw off for more oil ($\frac{1}{8}$ turn at a time).
3. Turn screw in for less oil ($\frac{1}{8}$ turn at a time).
4. Basic adjustment screw in lightly then open $2\frac{1}{2}$ turns.



Spark Plug Gap

NOTE: Use your manual oiler regularly in all tough cutting conditions.
